

GETTING STARTED

1

ADULT ASSEMBLY REQUIRED

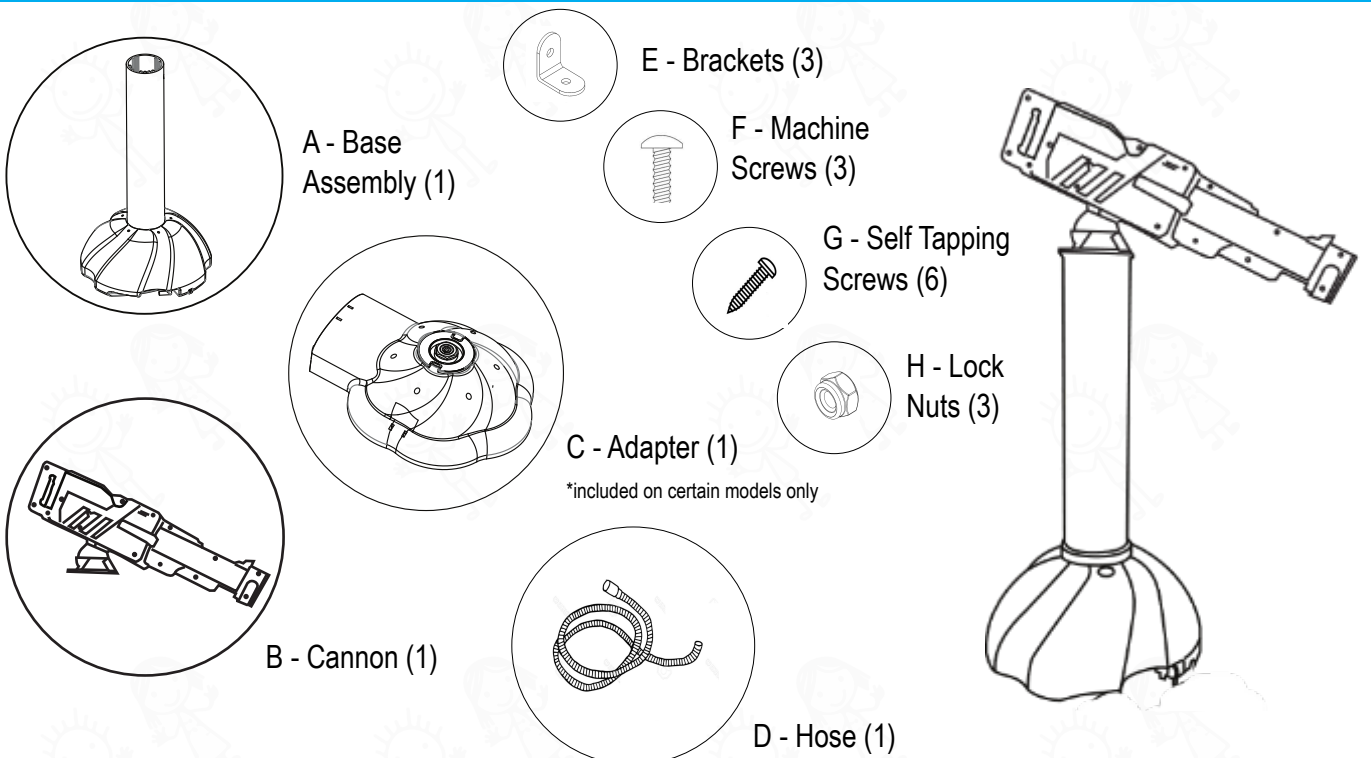
⚠ Warning

- Keep these instructions for future reference.
- This product is intended for use by children 18 months and up.
- This product is intended for outdoor domestic family use only.
- To prevent serious injury, children must not use this product until properly assembled and set-up.

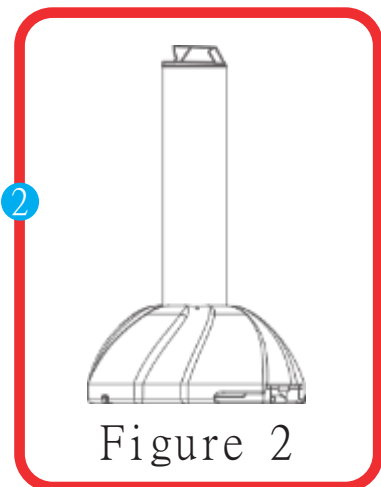
CAUTION:

- Observing the following statements and warnings reduces the likelihood of injury:
- Place this product on level ground, at least 6' (2m) away from any object. Objects to be avoided include, but are not limited to, fences, buildings, garages, houses, overhead branches laundry lines, or electrical wires.
- Instruct children on proper use of this product, only after properly placed, and not in a manner other than intended.
- Instruct children not to attach items to the product that are not specifically designed for use with the product, such as, but not limited to, jump ropes, clothes lines, pet leashes, cables and chains, as they may cause a strangulation hazard.
- Dress children appropriately; avoid loose-fitting clothing that are potentially hazardous while using this product.

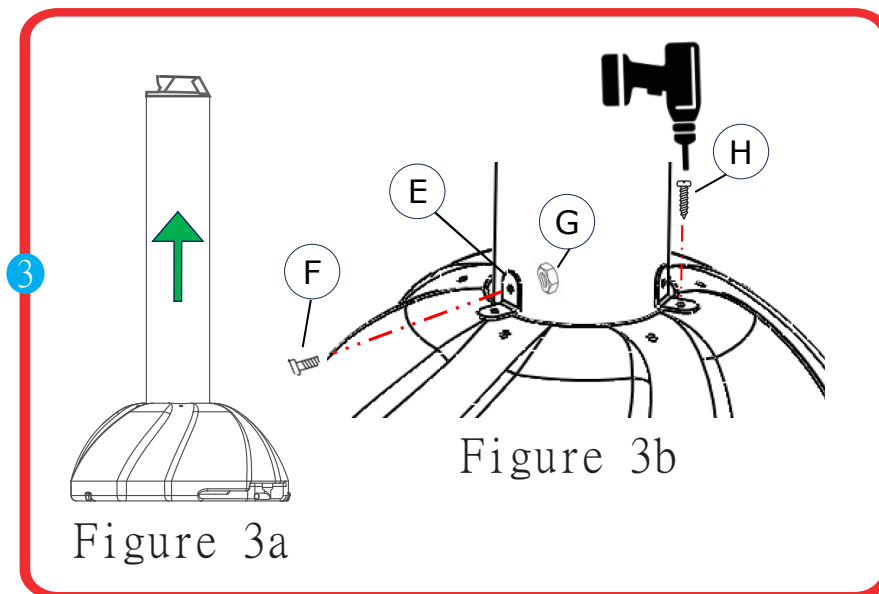
Package Contents



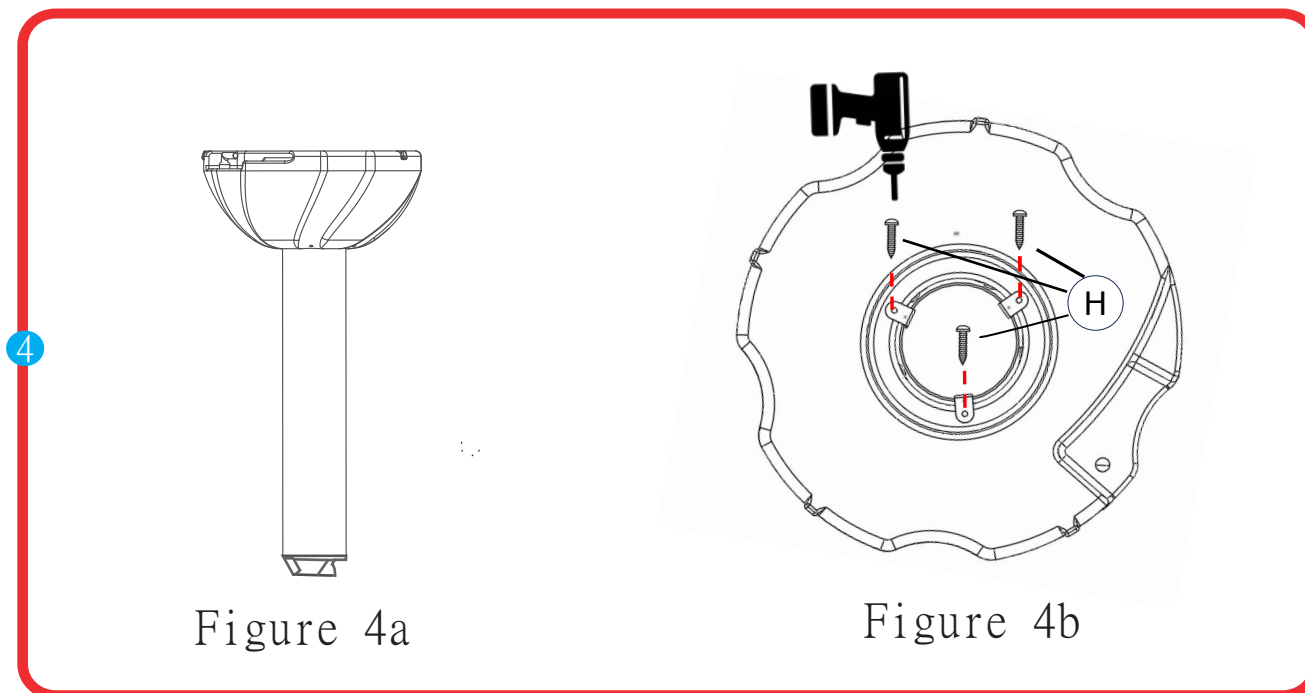
- 1 Remove all parts from the shipping box.



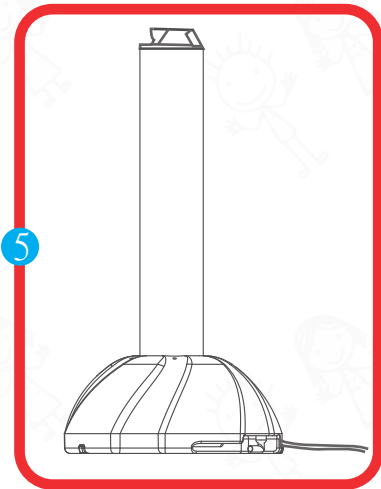
Place Base Assembly (A) on a flat, level ground surface as shown.



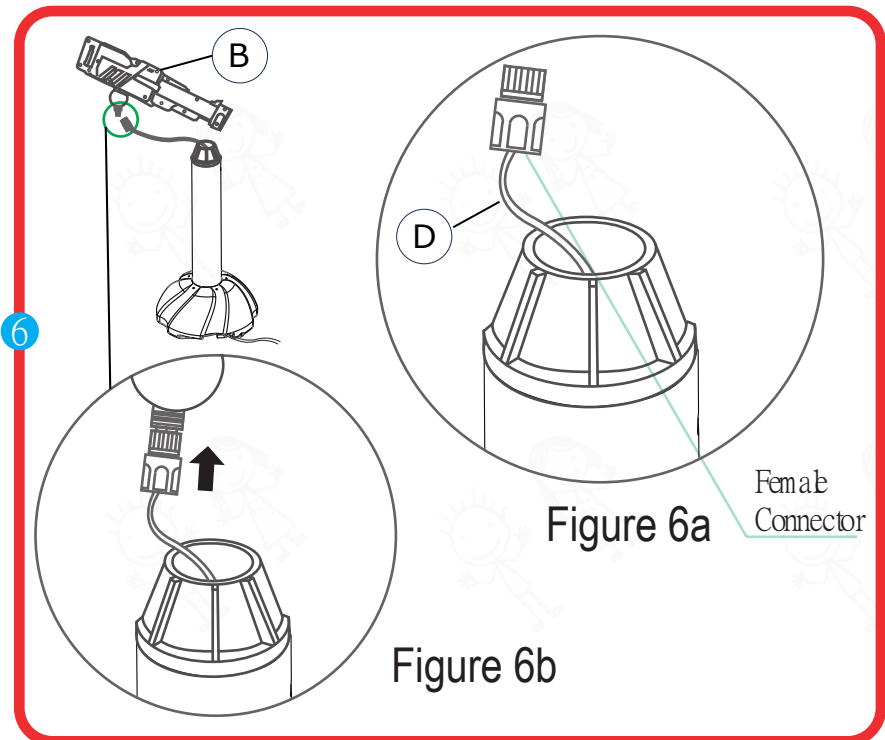
Pull up the column and remove the bubble wrap around it. Holding the column in the upper most position, attach 3 Brackets (E) to column using Machine Screws (F), and Lock Nuts (G) as shown in Figure 3b. Rotate column to align Brackets (E) as desired and secure to base using 3 Self Tapping Screws (H). Do not use holes on base to secure Brackets (E).



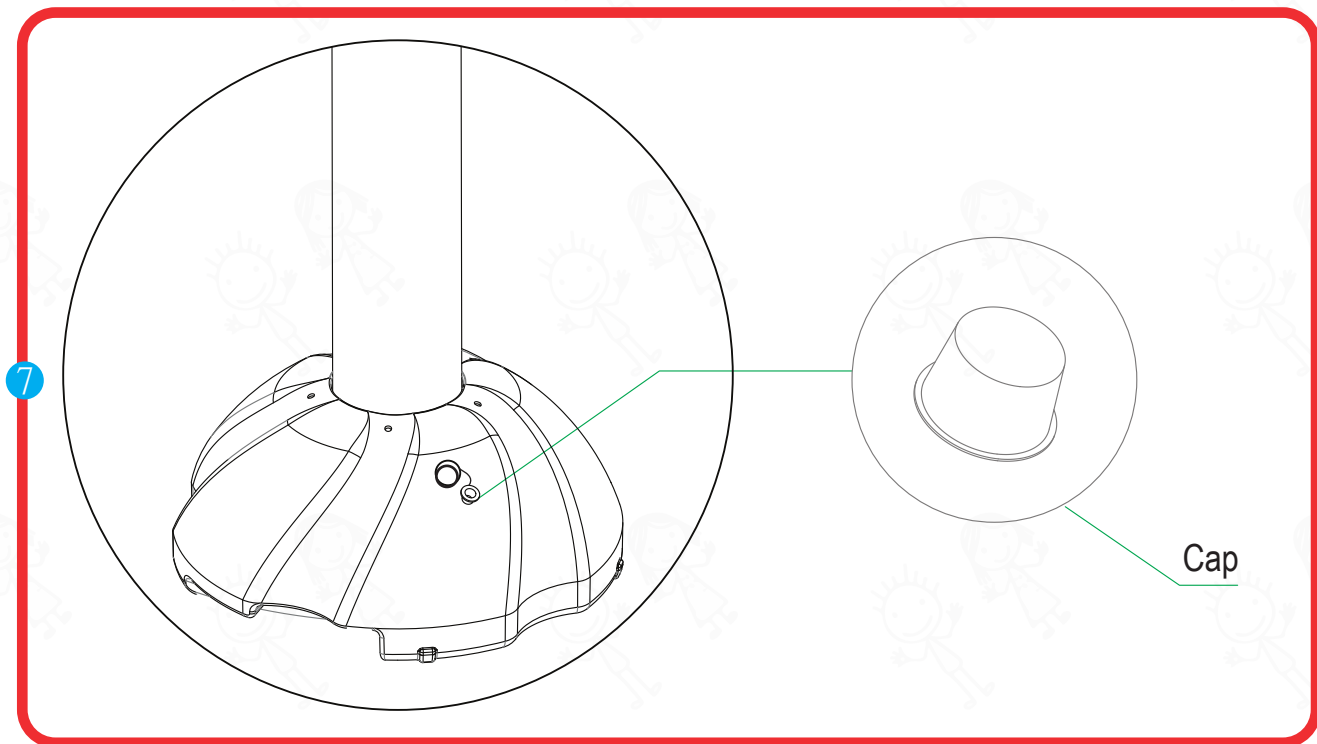
Turn Base Assembly (A) upside down (Figure 4a), and use 3 Self Tapping Screws (H) to secure brackets on bottom of column to the reservoir as shown in Figure 4b. Feed female quick connect end of Hose (D) through the bottom of the Base Assembly (A).



5 Place Base Assembly (A) right side up.

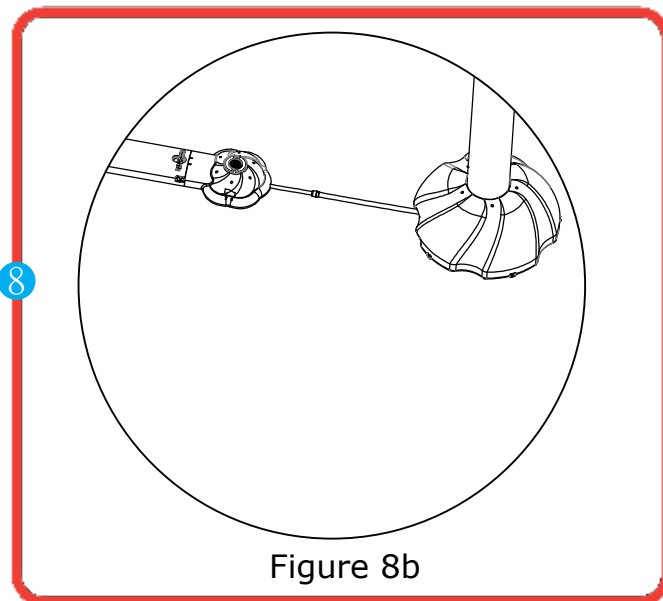
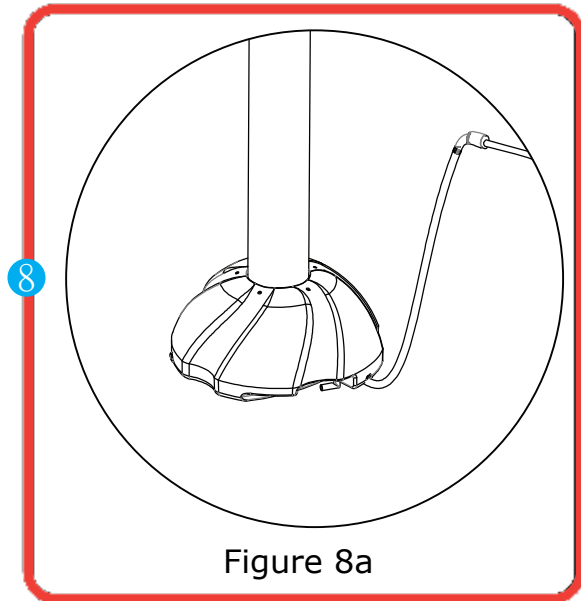


6 Pull the female end of Hose (D) with the quick connector up through the column (Figure 6a), and push it firmly onto the Cannon (B) fitting until it clicks into place (Figure 6b).



7 Remove the cap and fill the base with water.

USE AND CARE



Connect Cannon Blaster hose directly to garden hose (Figure 8a) or to Aqua-Station adapter (Figure 8b)

Storage

After use, turn off water supply at spigot and disconnect the Aqua-Station. If stored where temperatures will drop below freezing, ensure that the unit is drained by opening the drain valve.

Cleaning & Maintenance

Cleaning the Aqua-Station is as simple as hosing off any dust/debris that may have collected on the unit while in storage during the off-season.

PRODUCT SUPPORT

Replacement Parts: Some replacement parts may be available for purchase after warranty expires—contact us for details.

Warranty: The Cannon Blaster Aqua-Station is a fun, high quality toy. We warrant to the original purchaser that this product is free of defects in materials or workmanship for 1 year from the date of purchase (dated sales receipt is required for proof of purchase). At the sole election of the only remedies available under this warranty will be either replacement of the Splash2o part(s) of the product or refund of the purchase price of the product. This warranty is valid only if the product has been assembled and maintained per the instructions. This warranty does not cover abuse, accident, cosmetic issues such as fading or scratches from normal wear, or any other cause not arising from defects in material and workmanship.

For warranty service, replacement parts, and/or accessories, please visit our website at www.mysplash2o.com

