

Splash₂o Aqua-Tower Wheel Kit Assembly Instructions

PREPARATION:

- Disconnect unit from water supply and drain reservoir
- Remove all Aqua-Station
- Get a Philips head screwdriver and 3/8 open ended wrench

1. Drill Mounting Holes on Unit

- a) Start with the Aqua-Tower in the collapsed, storage position (Figure 1a)
- b) Carefully lower and rest the unit on its side, making sure that the hose connection is at the bottom (Figure 1b)
- c) Place wheel assembly into position, making sure that mounting brackets are positioned as shown (Figure 1c) and seated up against the base of the Aqua-Tower.
- d) Mark the 2 mounting hole locations on the outer edge of the Aqua Tower base
- e) Remove and set aside the wheel assembly
- f) Drill 1/4" holes at the 2 locations marked in step 1d

2. Secure Wheel Assembly onto Unit

- a) Place wheel assembly back into position (Figure 1c)
- b) Insert the 2 bolts provided through the 2 mounting brackets (Figure 2b); insert 2 washers and fasten lock nuts.
- c) Use allen wrench (provided) and open end wrench to tighten bolt and nut (Figure 2c)
- d) Use included screw to secure the remaining mounting bracket to the base (Figure 2d).

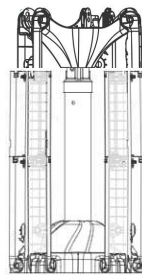


Figure 1a

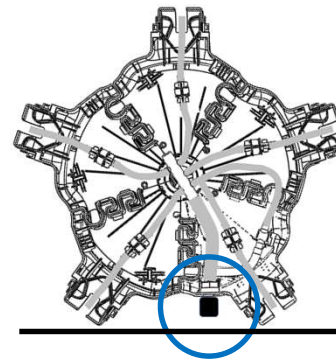


Figure 1b

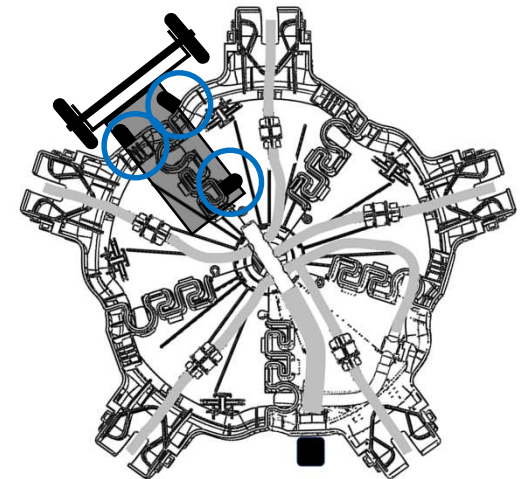


Figure 1c

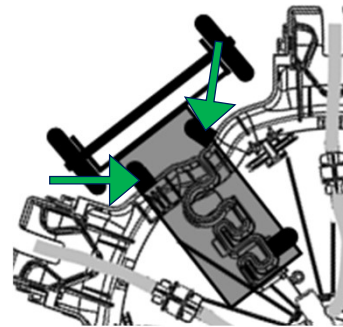


Figure 1d

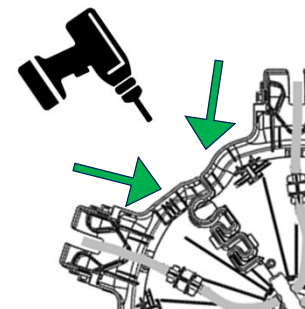


Figure 1f

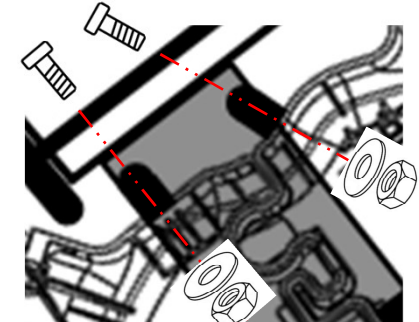


Figure 2b



Figure 2c

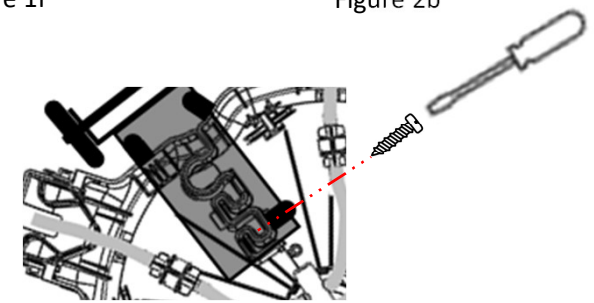


Figure 2d