

ADULT ASSEMBLY REQUIRED

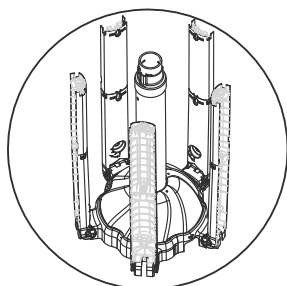
Warning

- Keep these instructions for future reference.
- This product is intended for use by children ages 18 months and up.
- This product is intended for outdoor domestic family use only.
- To prevent serious injury, children must not use this product until properly assembled and set up.

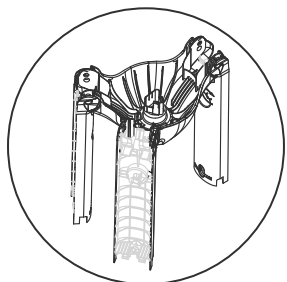
CAUTION

- Observing the following statements and warnings reduces the likelihood of serious or fatal injury:
- Place this product on level ground, at least 6' (2 m) away from any object. Objects to be avoided include, but are not limited to, fences, buildings, garages, houses, overhead branches, laundry lines or electrical wires.
- Instruct children on proper use of this product, only after properly placed, and not in a manner other than intended. Do not hang on or secure any objects besides designated Aqua-Stations on the arms.
- Instruct children not to attach items to the product that are not specifically designed for use with the product such as, but not limited to, jump ropes, clotheslines, pet leashes, cables and chains, as they may cause a strangulation hazard.
- Dress children appropriately: avoid loose-fitting clothing that are potentially hazardous while using this product.

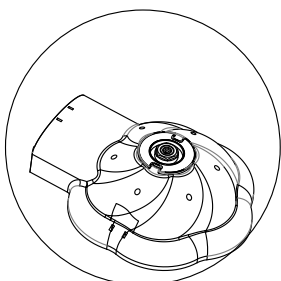
Package Contents



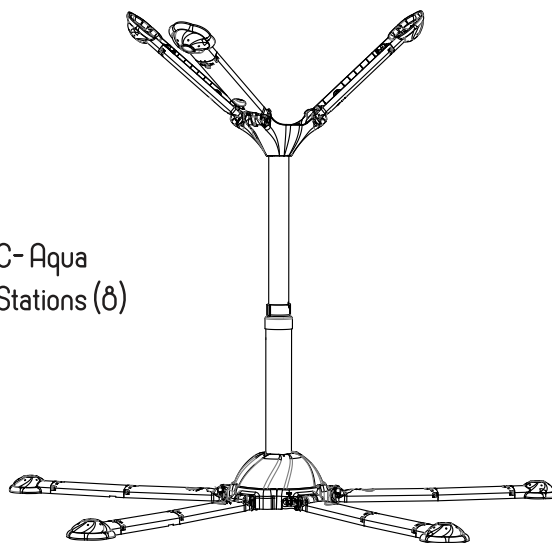
A-Base
Assembly (1)



B-Top Hub
Assembly (1)



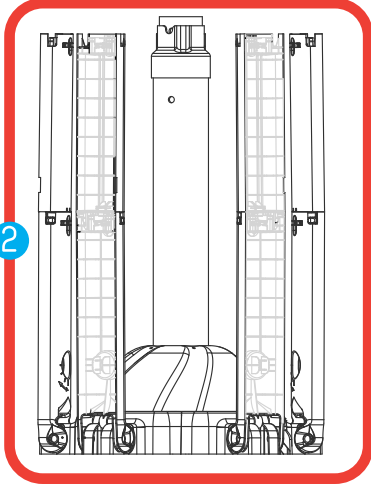
C-Aqua
Stations (8)



ASSEMBLY

- 1 Remove all parts from the shipping box

Tip: For ease of setup, assemble product near desired play area.



Place the Base Assembly (A) on a flat level ground surface as shown.

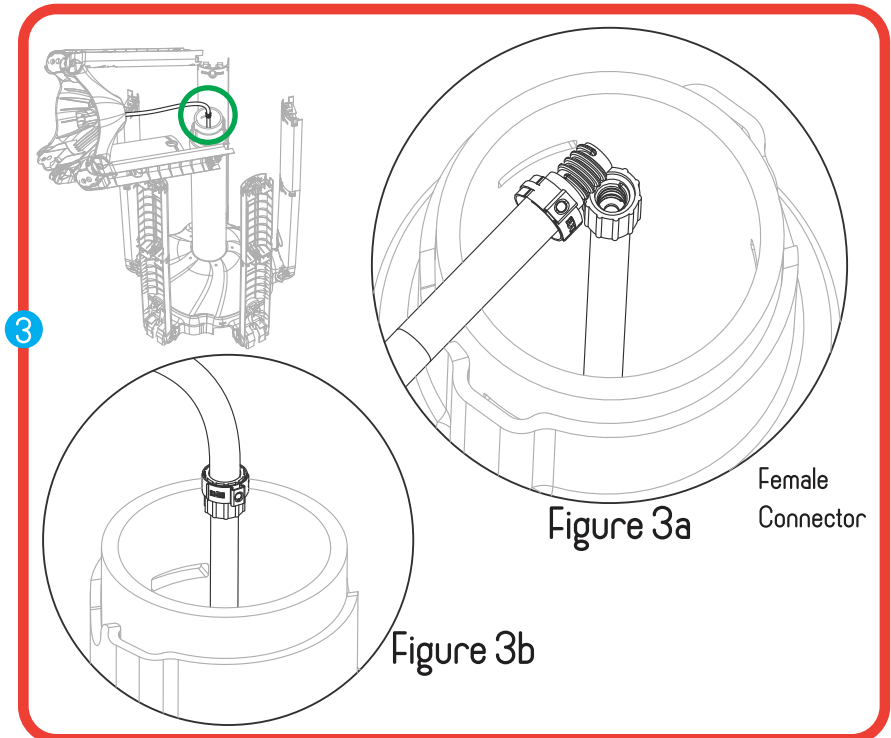


Figure 3a

Female Connector

Figure 3b

Connect hose from the Top Hub Assembly (B) to the hose in the column of the Base Assembly (A). Make sure the seal of the female connector (Figure 3a) located inside the column is seated all the way down, and turn the female fitting connector counter clockwise to tighten (Figure 3b).

Tip: Tighten securely to ensure there are no leaks during operation.

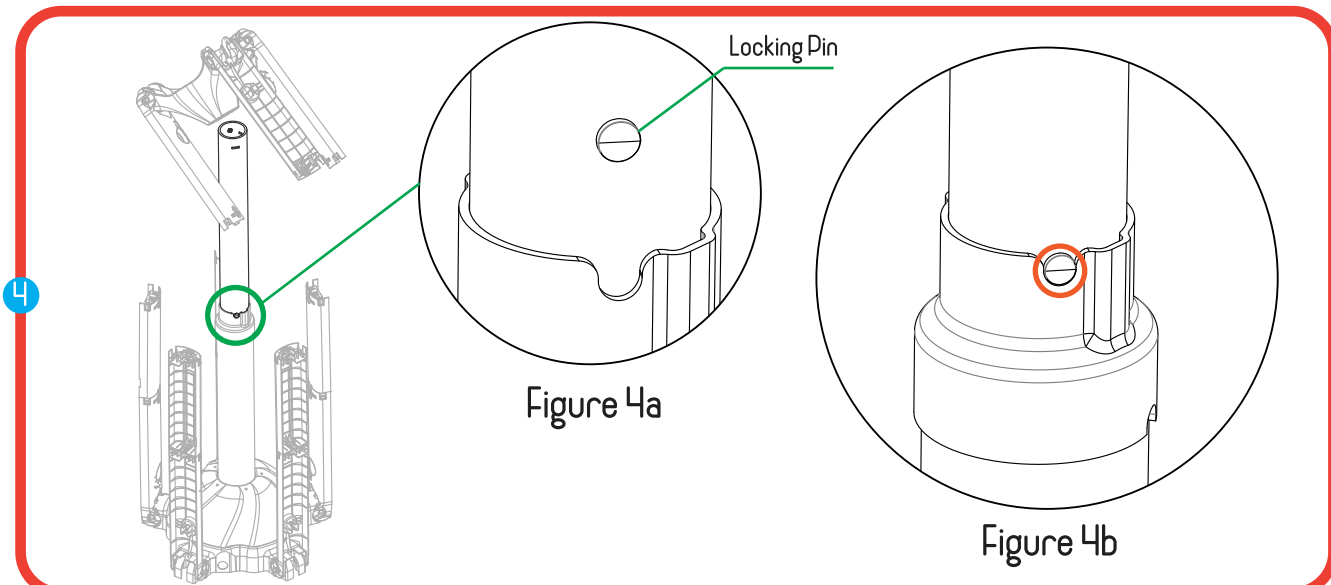
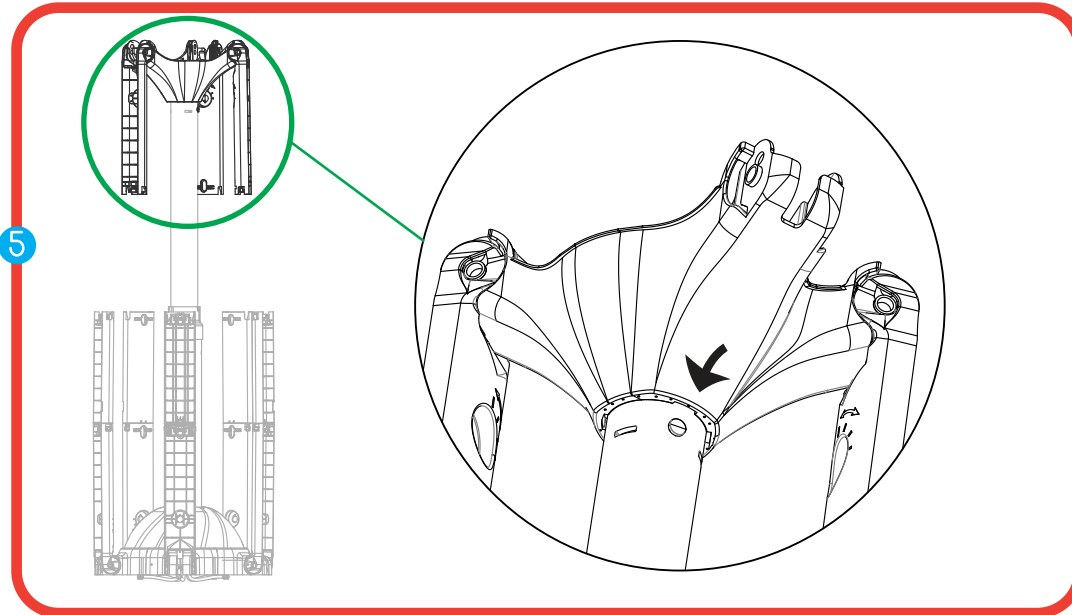


Figure 4a

Locking Pin

Figure 4b

Pull up inner column all the way from Base Assembly (A) until the locking pin is fully exposed (Figure 4a), rotate clockwise, and lower into locked position (Figure 4b) such that the locking pin seats into slot.



Place Top Hub Assembly (B) onto the upper column, align properly, and push down to lock into position

Tip: Use alignment sticker to align Top Hub (B) with the pin on the upper column

- 6 Attach each Aqua-Station (C) to lower and upper arms, ensuring that it clicks into locked position (Figure 6a). Secure secondary locking brackets by pushing down on them (Figure 6b).

Tip: While most Aqua-Stations (C) can be attached to any Arm (C), note that some, such as the Tipping Bucket, are designed only for use on the upper arms

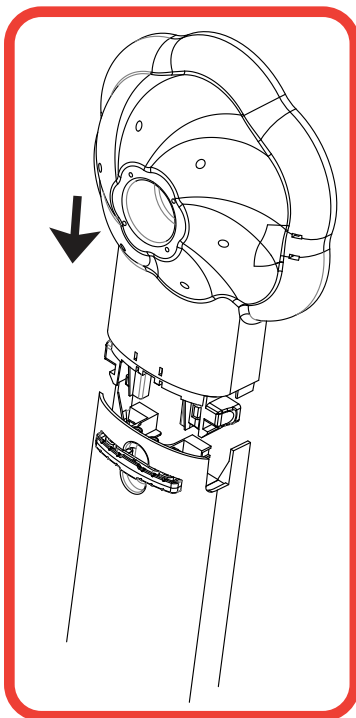


Figure 6a

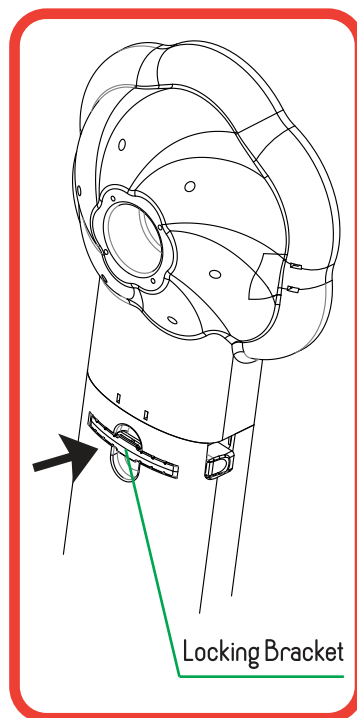
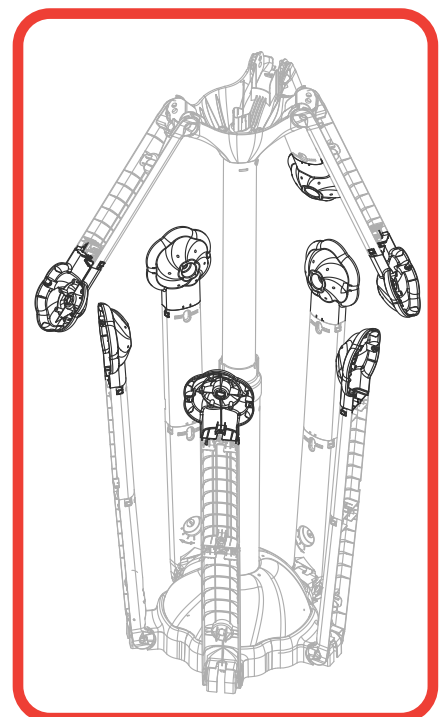
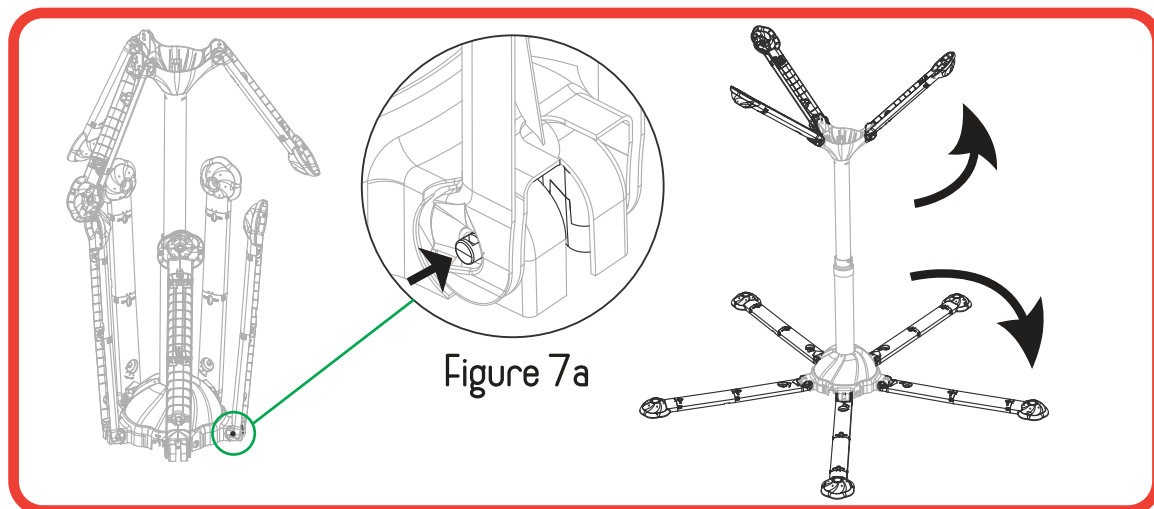


Figure 6b



SETUP AND USE

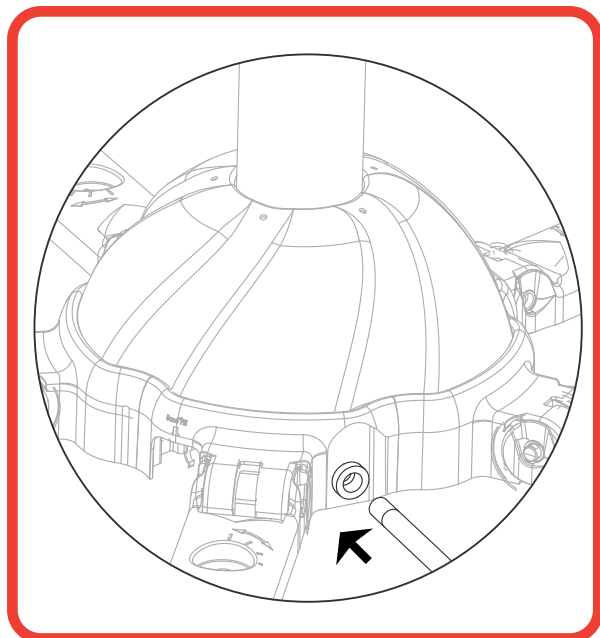


Unlock and fold out all upper and lower arms until they lock into extended position.

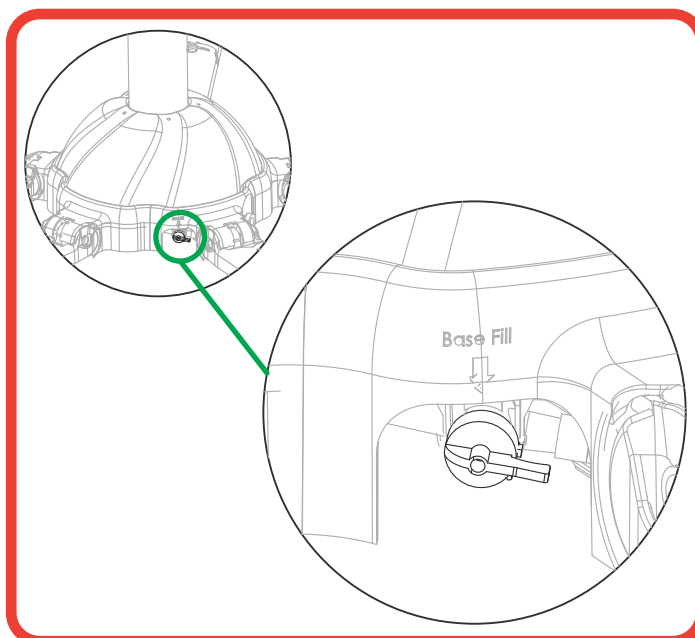
To unlock arm, push pins in both sides of the hinge (Figure 7a).

Tip: If the Aqua-Tower is not at the desired play location, before extending the arms, move it to its location, ensuring it is a flat and level surface. Use only the column to lift and maneuver the Aqua Tower.

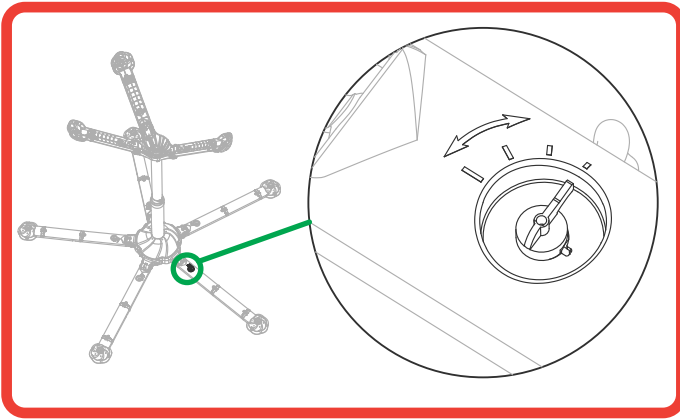
Caution: Do not hang on or secure any objects besides designated Aqua-Stations on the arms.



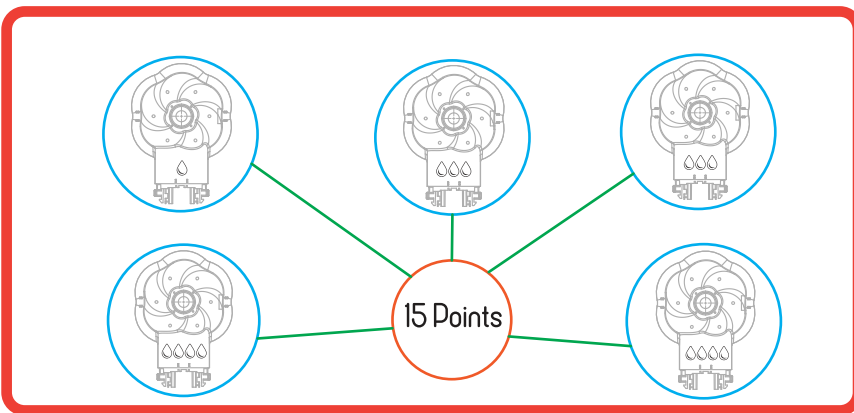
Connect garden hose to the fitting on the base and turn on water at spigot.



Ensure base fill valve (located to the left of the hose fitting) is open, and close the base fill valve once water is seen coming out of the holes on top of the base (this signifies that the base is full).



Water effect intensity for each Aqua-Station may be adjusted to desired level using the valves located on the arms.



Splash₂O™ Water Consumption Point System

Each Aqua-Station is marked with a maximum water consumption rating that ranges from 1 to 4 points (graphically illustrated with water droplets as shown above). Aqua-Stations can be mixed and matched as desired, so long as the sum total of all the consumption points do not exceed your available water pressure/flow rate. To determine the maximum number of points your available water pressure/flow rate will support, measure how many seconds it takes to fill a 1-gallon container with the spigot fully open, and then divide 120 by that number (i.e., 120/8 seconds = 15 points).

Storage

After each use, turn off water supply at spigot and disconnect hose from the Aqua-Tower to let the water drain out. Open base fill valve to let it drain as well. For best drainage, lift up lower arms into their upright, locked storage position.

If stored where temperatures will drop below freezing, ensure that the unit is drained.

Once drained, lift up the upper column of the Aqua-Tower, rotate it counterclockwise slightly so that the locking pin aligns with the slot on the collar, and slowly lower it all the way down. Unlock and slowly lower each upper arm until they are all down and locked in storage position.

Cleaning & Maintenance

Cleaning the Aqua-Tower is as simple as hosing off any dust/debris that may have collected on the unit while in storage during the off-season.

Issue	Potential Cause	Solution
No water is coming out of one or more of the Aqua-Stations	Valve is in the off position	Rotate valve counter-clockwise to open
	Hose fitting for the arm is not connected.	Ensure hose fitting for the arm is connected and tightened securely
Water effect intensity seems low for one or more of the Aqua-Stations	Number of Aqua-Station points connected exceeds available water pressure	Calculate the maximum number of Aqua-Station points that your water supply can support (refer to "Setup and Use" section), and ensure that the combination of Aqua-Stations used does not exceed that maximum
	One or more of the valves is not fully open	
	Base fill valve is open Garden hose is too long or too small	Ensure that the valve for the base is closed after it has filled up
Cannot move arm out of locked position	Both pins on each side of arm hinge are not pushed in all the way	Ensure that pins on both sides of arm hinge are pushed in all the way to unlock arm

Replacement Parts: Some replacement parts may be available for purchase after warranty expires—contact us for details.

Warranty: The Splash₂O™ Aqua-Tower is a fun, high quality toy. We warrant to the original purchaser that this product is free of defects in materials or workmanship for 3 years from the date of purchase (dated sales receipt is required for proof of purchase). At the sole election of Splash₂O™, the only remedies available under this warranty will be either replacement of the defective part(s) of the product or refund of the purchase price of the product. This warranty is valid only if the product has been assembled and maintained per the instructions. This warranty does not cover abuse, accident, cosmetic issues such as fading or scratches from normal wear, or any other cause not arising from defects in material and workmanship.

For warranty service, replacement parts, and/or accessories, please visit our website at www.mysplash2o.com

