

Splash₂o Aqua-Tower Base Sub-Assembly Replacement Instructions

PREPARATION:

- Disconnect unit from water supply
- Remove all Aqua-Stations
- Get 3 flat tip tools such as flat head screwdrivers

1. Remove top hub from your current Aqua-Tower

- A. Start with your Aqua-Tower's upper column extended with the upper arms lowered down (Figure 1.1)
- B. To release locking tabs, carefully insert and wedge a flat tip tool into each of the 3 slots under the top hub as shown in Figure 1.2. While tools are still wedged in, pull the top hub up to disconnect it from the upper column.
- C. While holding top hub, lower upper column (Figure 1.3) and disconnect the connector (Figure 1.4); set top hub assembly aside.

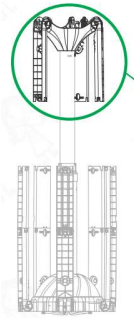


Figure 1.1

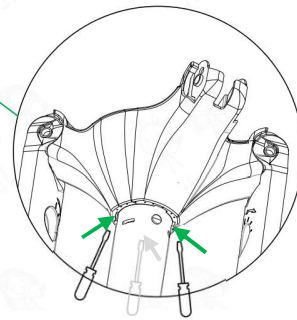


Figure 1.2

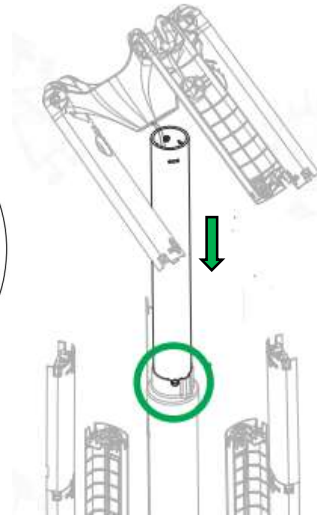


Figure 1.3

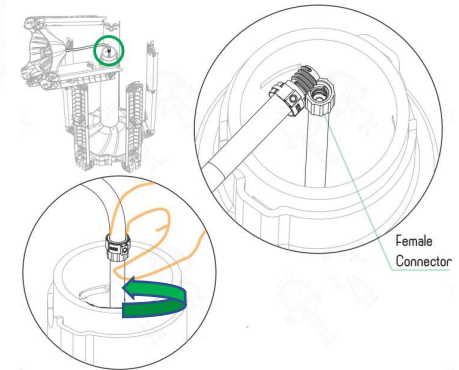


Figure 1.4

2. Remove Arms from existing base sub-assembly and assemble onto new base sub-assembly

- A. Rotate upper column into locked position, and carefully turn the base sub-assembly upside down (Figure 2.1); have another person hold it in place for the following steps, so that it does not fall over
- B. Disconnect the 5 hose connections at the bottom (Figure 2.2)
- C. Move the hose out of the way and remove hinge locking pins by pinching them together and pulling them out (Figure 2.3)
- D. Remove each arm off its pivot on the base by just firmly pulling on it (Figure 2.4). It will just pop off.
- E. Reverse this removal procedure to assemble each of the arms onto your replacement base sub-assembly.

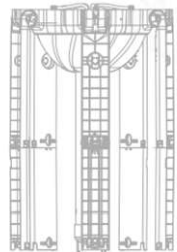
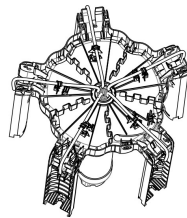


Figure 2.1

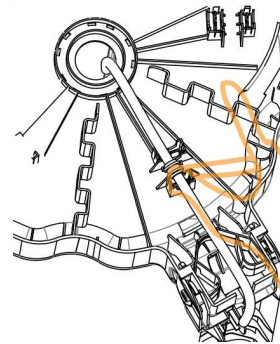


Figure 2.2

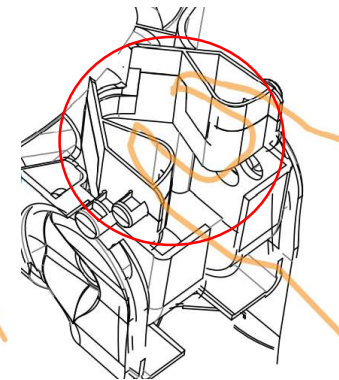


Figure 2.3

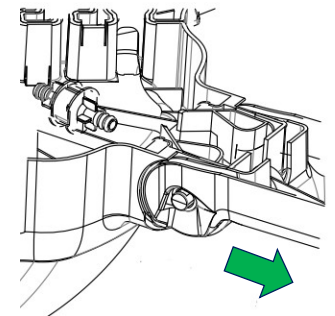


Figure 2.4

3. Assemble top hub onto new base sub-assembly per instructions in owner manual